

### Features


- ◇ For RF SAW filter
- ◇ Balanced and unbalanced operation possible
- ◇ Ceramic Surface Mount Package
- ◇ Small size
- ◇ RoHS compliant (2002/95/EC), Pb-free

### Specifications

Parameter		Unit	Minimum	Typical	Maximum
Center Frequency		MHz	-	400	-
Insertion Loss	incl.loss	dB	-	2.3	3
	excl.loss	dB	-	1.8	2.5
Passband Variation(399.875~400.125MHz)		dB	-	0.6	3
Ultimate Rejection	10~370MHz	dB	55	60	-
	370~390MHz	dB	50	55	-
	390~399MHz	dB	22	27	-
	399~399.3MHz	dB	15	25	-
	400.7~401MHz	dB	15	21	-
	401~408MHz	dB	22	27	-
	408~414MHz	dB	35	40	-
	414~468MHz	dB	45	50	-
	468~800MHz	dB	50	55	-
	800~1500MHz	dB	60	65	-
1500~2500MHz	dB	50	55	-	
Impedance for pass band matching <sup>1)</sup>					
Input: $Z_{IN}=R_{IN}  C_{IN}$		$\Omega   \mu\text{F}$	-	380  2.2	-
Output: $Z_{OUT}=R_{OUT}  C_{OUT}$		$\Omega   \mu\text{F}$	-	380  2.2	-
Material Temperature coefficient		KHz/°C	0.4		
Substrate Material		-	Qz		
Ambient Temperature		°C	25		
Operating Temperature Range		°C	-45	-	+125
Storage Temperature Range		°C	-45	-	+125
DC Voltage		V	6		
Source Power		dBm	-	-	10
ESD Class		-	1C		
Package Size			SMD3.0*3.0		

#### Notes:

1. Impedance for passband matching bases on an ideal,perfect matching of the SAW filter to source and to load impedance(here 50 Ohm).After removal of the SAW filter the input impedance of the input and output matching network

	<b>SIPAT Co., Ltd.</b> ( CETC No.26 Research Institute ) #14 Nanping Huayuan Road, Chongqing, China, 400060	Part Number	LBS40002	
		Rev. Date	2011-08-25	
		Ver.	1.0	Page

k is calculated. The conjugate complex value of these characteristic impedances are the input and output impedances for flat passband.

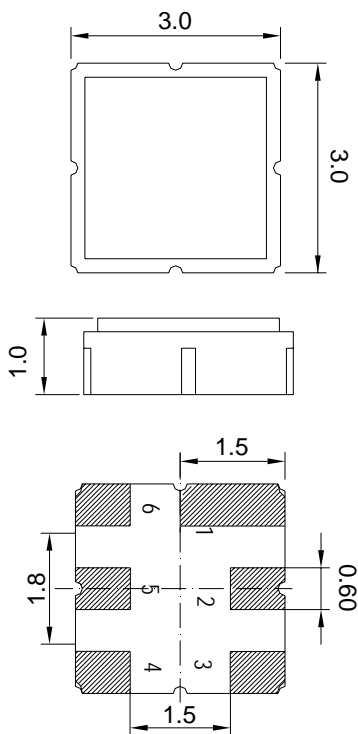
### Matching Configuration



**C1=C2=47nH**  
**Source/Load Impedance=50ohm**

Notes - Component values may change depending on board layout.

### Package Dimension



#### Pad Configuration:

- 1: input or input ground
- 2: input ground or input
- 4: output or output ground
- 5: output ground or output
- 3,6: to be grounded

Package: SMD3.0\*3.0

Unit: mm

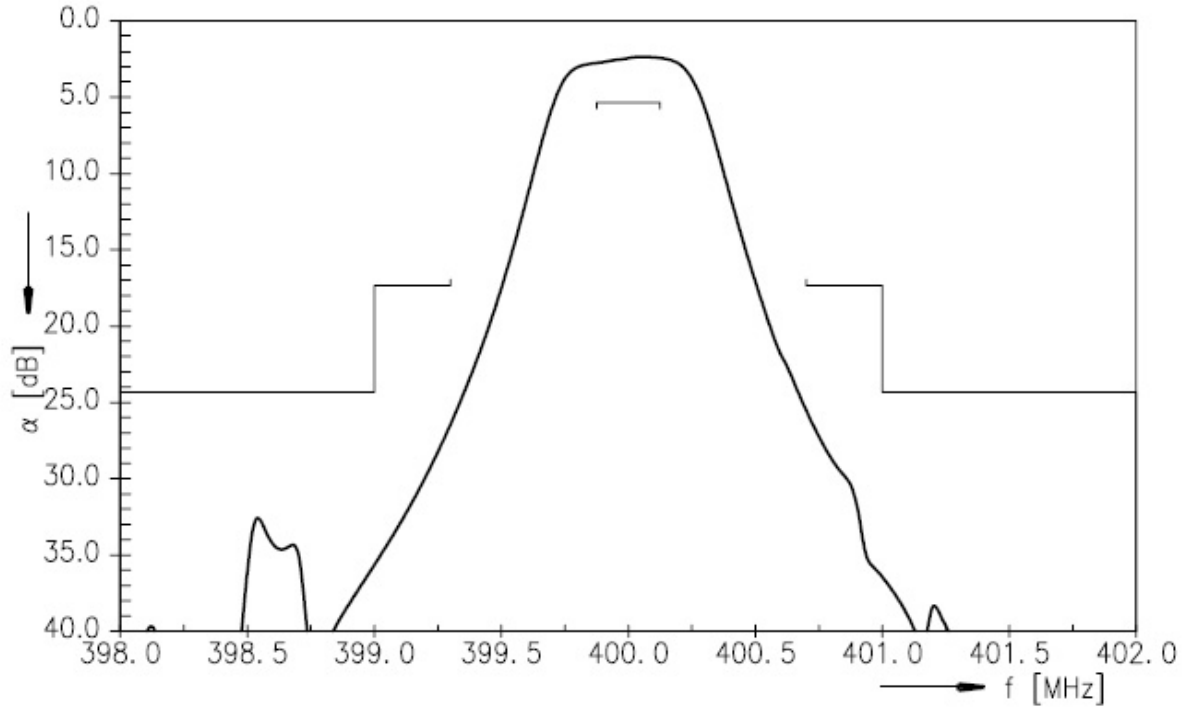


**SIPAT Co., Ltd.**  
( CETC No.26 Research Institute )  
#14 Nanping Huayuan Road,  
Chongqing, China, 400060

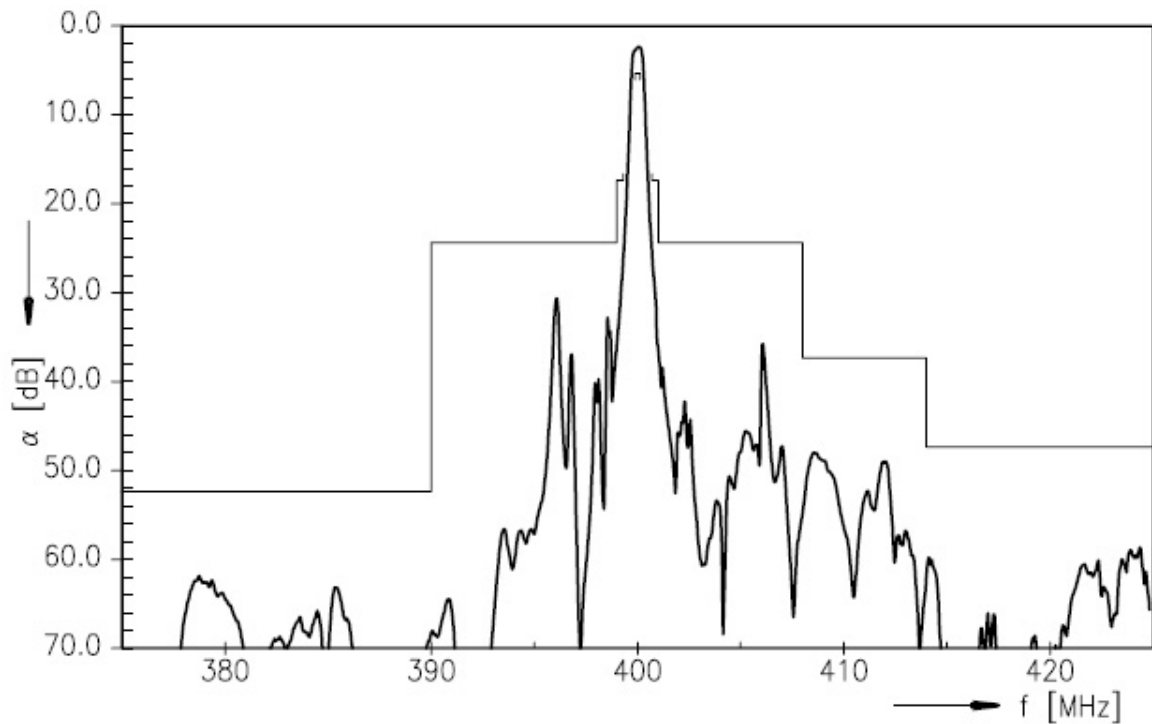
Part Number	LBS40002	
Rev. Date	2011-08-25	
Ver.	1.0	Page 2/4

Typical Performance

Frequency Response

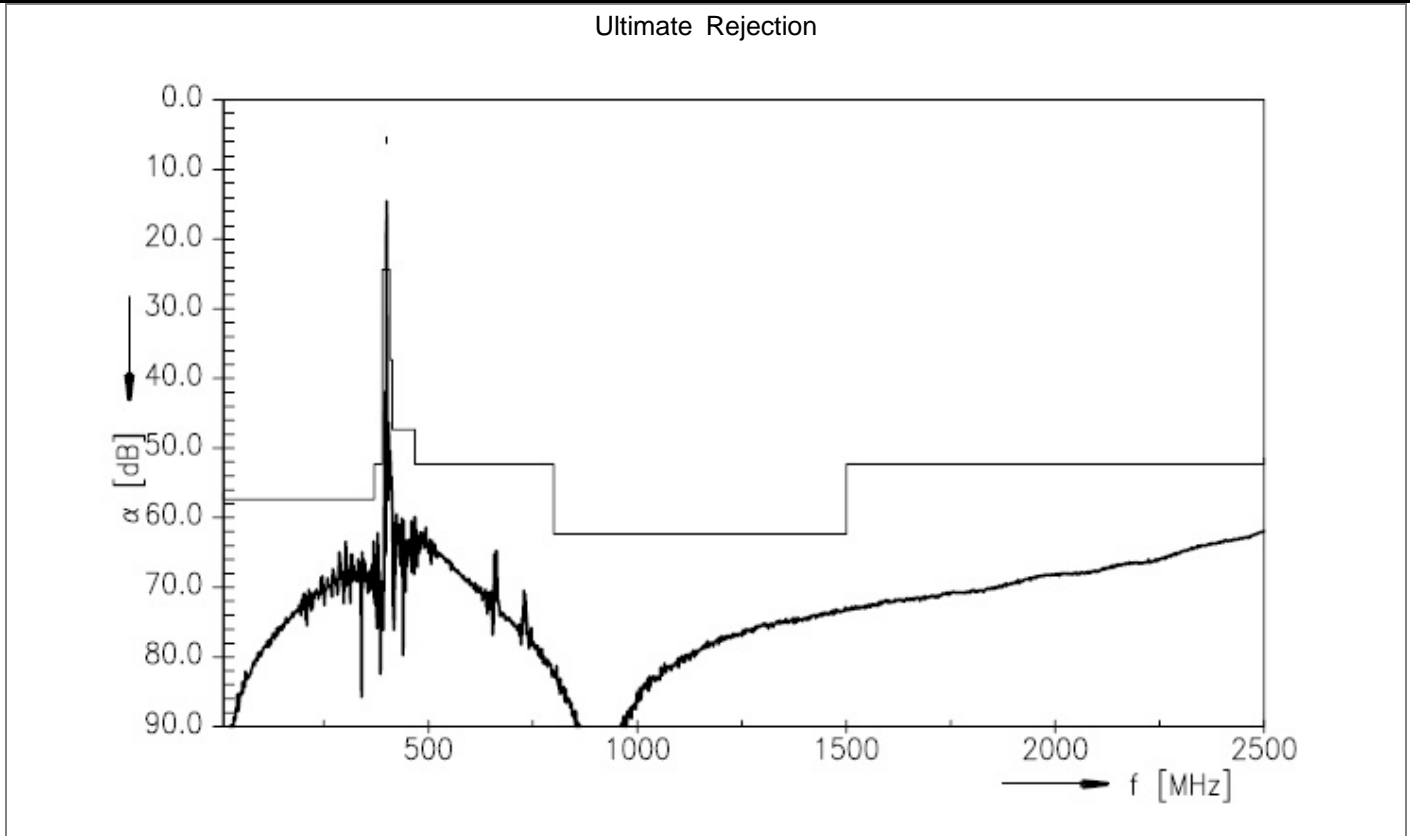


Wideband



**SIPAT Co., Ltd.**  
( CETC No.26 Research Institute )  
#14 Nanping Huayuan Road,  
Chongqing, China, 400060

Part Number	LBS40002	
Rev. Date	2011-08-25	
Ver.	1.0	Page 3/4



**SIPAT Co., Ltd.**  
( CETC No.26 Research Institute )  
#14 Nanping Huayuan Road,  
Chongqing, China, 400060

Part Number	LBS40002	
Rev. Date	2011-08-25	
Ver.	1.0	Page 4/4